

## 1AXL Base (Fusion Table) Assembly Instructions

### Parts Included:

1. Column (1)

2. Foot (4)

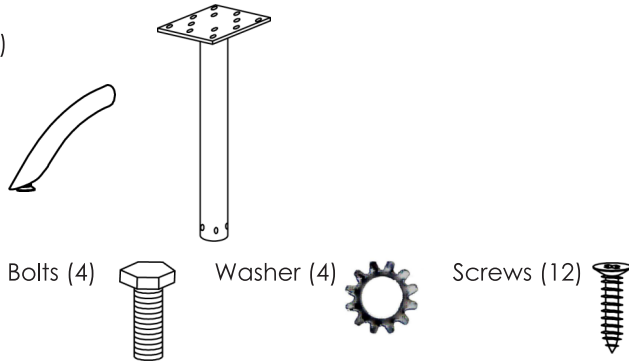
3. Hardware: Bolts (4)

Washer (4)

Screws (12)

4. Table top (optional)

5. Casters (optional)



### Tools Needed:

13mm ratchet wrench or impact drill

3/8" hex bit

13mm socket

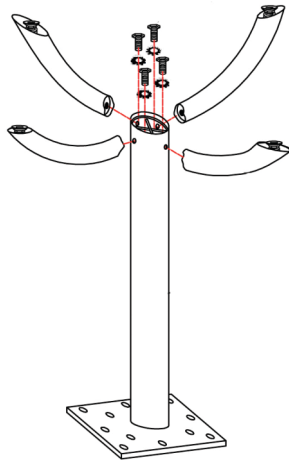
13mm wrench (for optional casters)

#3 Phillips bit

Safety glasses

**If you are missing parts or have any questions, please call Customer Service at 888-705-0777.**

### Base Assembly



### Instructions

#### Base Assembly

1. Set the mounting plate on the floor with the bottom of the column up. Attach (4) feet to the column by inserting (4) 8mm bolts and washers from the center of the column into the feet. Hand tighten the bolts.
2. Using 13mm ratchet wrench, **tighten bolts very securely.** **NOTE:** if using optional casters, remove leveling glides from the threaded inserts on bottom of the legs. Thread four caster instead. Use 13mm wrench to tighten the casters.

#### Table Assembly

1. Lay table top upside down on cardboard or carpeted surface.
2. Position assembled base at the center on the top and align table top. Use every hole in the mounting plate to attach the legs with screws.
3. Use Phillips screwdriver or impact drill to install wood screws through the base in table top. **Fully tighten screws.**
4. Holding onto the edges of the top, carefully turn the table over in the upright position.
5. Level your table by rotating the leveling glides. Enjoy your table!

### Table Assembly

