

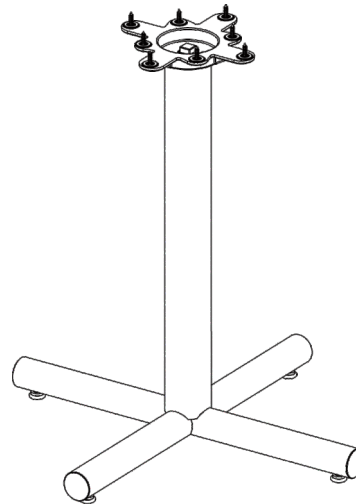
## ClassiX Table (X-Base) Assembly Instructions

### Parts Included:

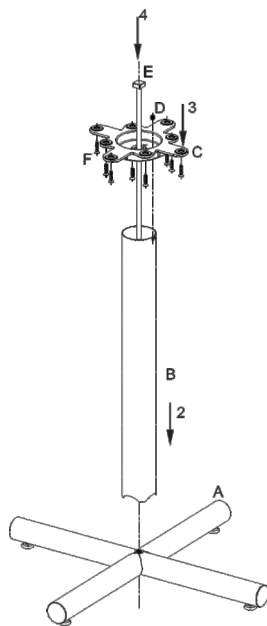
- A Welded Foot (with glides)
- B Column
- C Mounting plate (with set screw "D")
- D Set Screw
- E Rod
- F Phillips pan head screws

### Tools Needed:

- Phillips screwdriver or impact drill
- 3/8" hex bit
- 18mm socket
- Safety glasses



**If you are missing parts or have any questions, please call Customer Service at 888-705-0777.**



### Instructions

#### Base Assembly

1. Place column (B) on top of the welded foot (A)
2. Place mounting plate (C) on top of the column (B)  
**NOTE:** set screw (D) must be inserted in the slot on the top of the column.
3. Insert rod (E) through the mounting plate (C) and column (B) and screw into the welded foot. Tighten the rod with 19mm socket.  
**NOTE:** If using optional casters, install them on the welded foot (A).

#### Table Assembly

1. Lay the table top upside down on cardboard or carpeted surface.
2. Position an assembled base onto the table top and align holes in mounting plate with pre-drilled holes in table top.
3. Using screw driver or impact drill, install screw from hardware pack through the mounting plate and into the pre-drilled holes in table top.
4. Flip table upright and adjust leveling glides if necessary. Enjoy your table!

