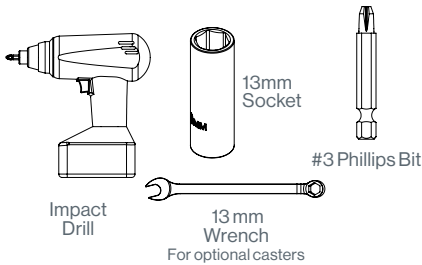
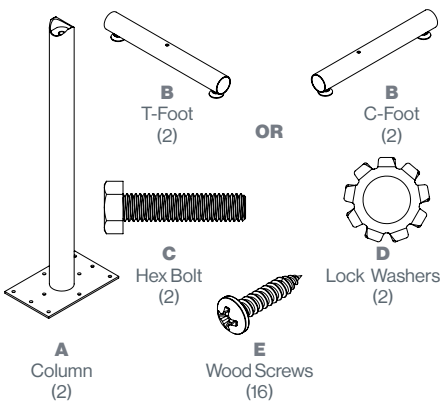


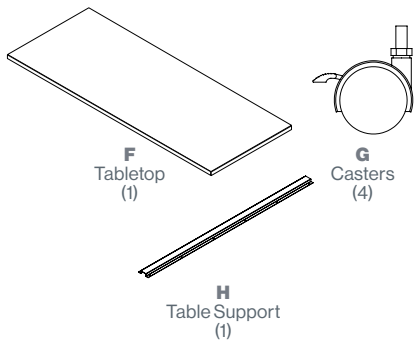
TOOLS



PARTS & HARDWARE LIST



OPTIONAL PARTS



OPTIONAL TABLE SUPPORT

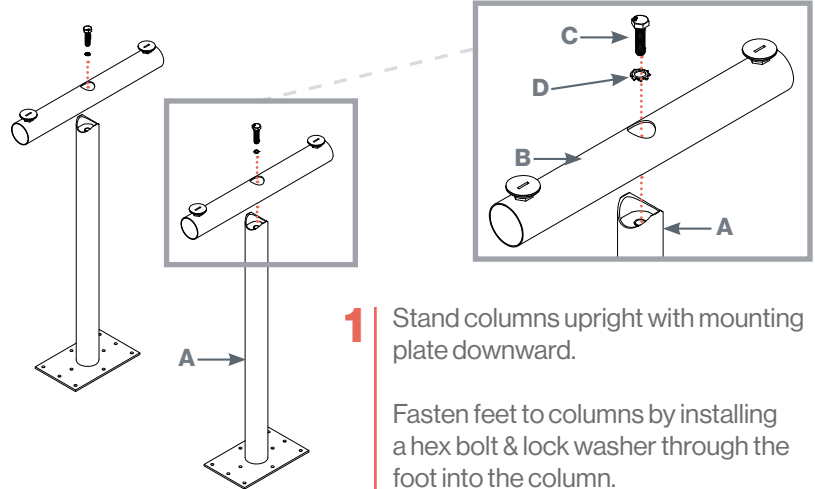
Align support with the pre-drilled holes on the underside of the table. Fasten using included wood screws.

OPTIONAL CASTERS

Remove the adjustable leveling glides in each foot and install (4) casters using a 13mm wrench.

ASSEMBLY STEPS

1



1 Stand columns upright with mounting plate downward.

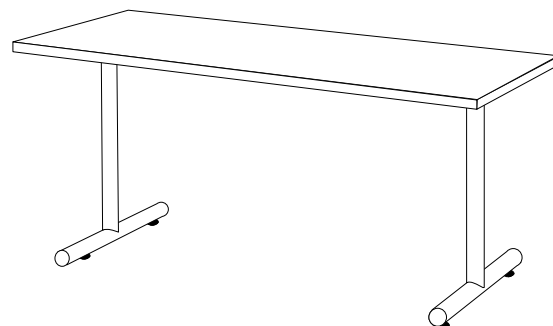
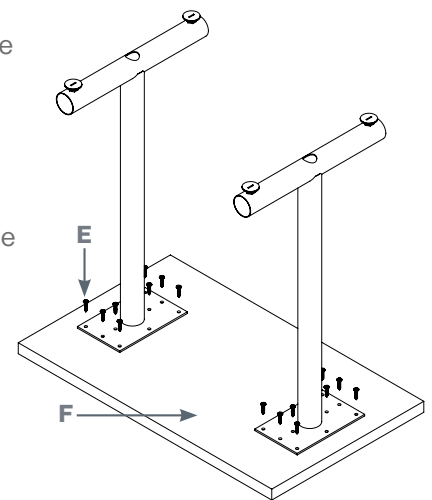
Fasten feet to columns by installing a hex bolt & lock washer through the foot into the column.

2

Align the base with pre-drilled holes on the underside of the table surface.

Fasten Kingston bases to the tabletop using wood screws.

Holding onto the edges of the table, carefully flip the table over.



ASSEMBLED KINGSTON FIXED TABLE

**FOR MISSING PARTS OR QUESTIONS,
 PLEASE CALL CUSTOMER SERVICE AT 888-705-0777.**