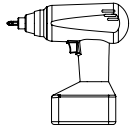


TOOLS



Impact Drill



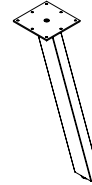
#3 Phillips Bit

Safety Glasses

PARTS & HARDWARE LIST



A
Tabletop
 (1)



B
Leg
 (4)



C
Wood screws
 (32)

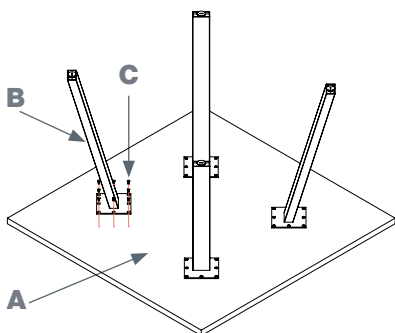
ASSEMBLY STEPS



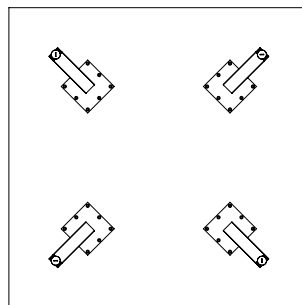
START BOLTS BY HAND TO PREVENT CROSS THREADING

- 1.** Lay the table top (**A**) upside down on a cardboard piece or carpeted surface.
- 2.** Align the table legs (**B**) with the pre-drilled holes so that the legs are angled towards the outer edge of the top.
- 3.** Use a Phillips screwdriver or impact drill to install the wood screws (**C**) through the legs (**B**) in the tabletop (**A**). Fully tighten all screws.
- 4.** Carefully turn the table to upright position.

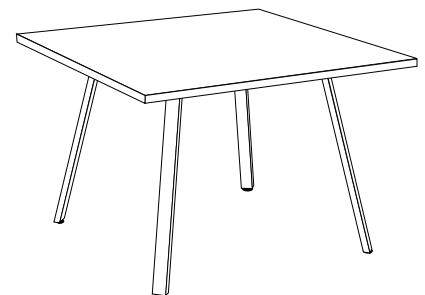
1-2



3



4



AIM-M SQUARE TABLE

FOR MISSING PARTS OR QUESTIONS, PLEASE CALL CUSTOMER SERVICE AT 888-705-0777.