

TOOLS

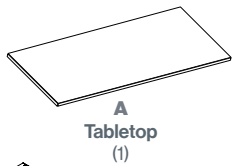


Impact Drill

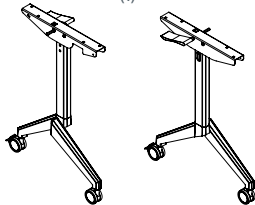


#2 Phillips Bit

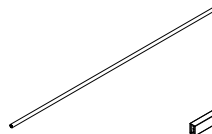
PARTS & HARDWARE



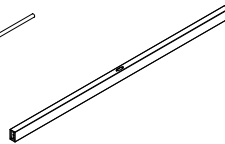
A
Tabletop
(1)



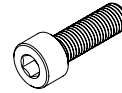
Left & Right Legs
B
Caliber Base Set
(2)



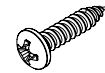
C
Support Bar
(1)



D
Beam Assembly
(1)



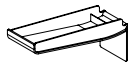
E
Hex Cap Screw
(4)



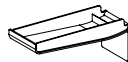
F
Wood Screw
(8)



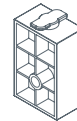
G
Hex Key
(1)



H
Left Cover Plate
(1)



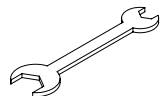
I
Right Cover Plate
(1)



J
Beam Spacer
(1)



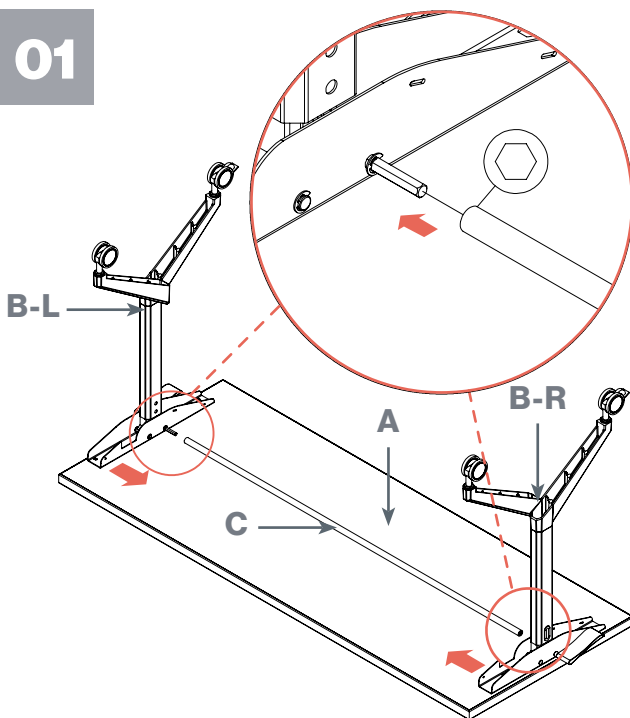
K
End Cap
(2)



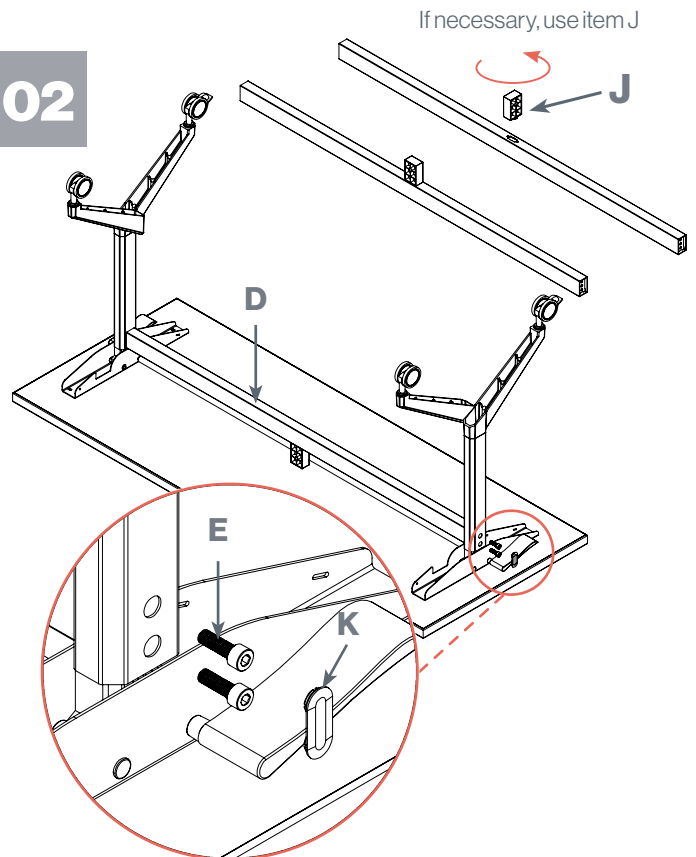
L
Wrench
(1)

ASSEMBLY STEPS

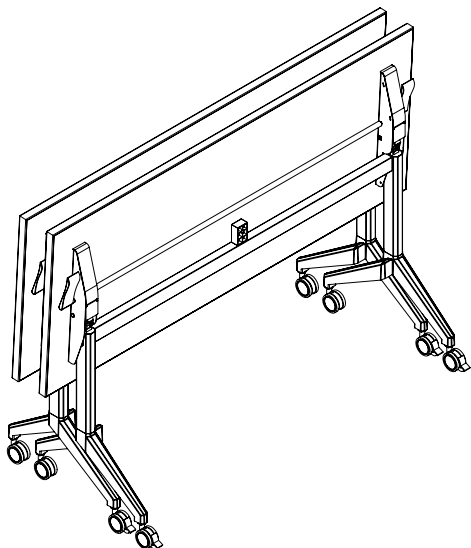
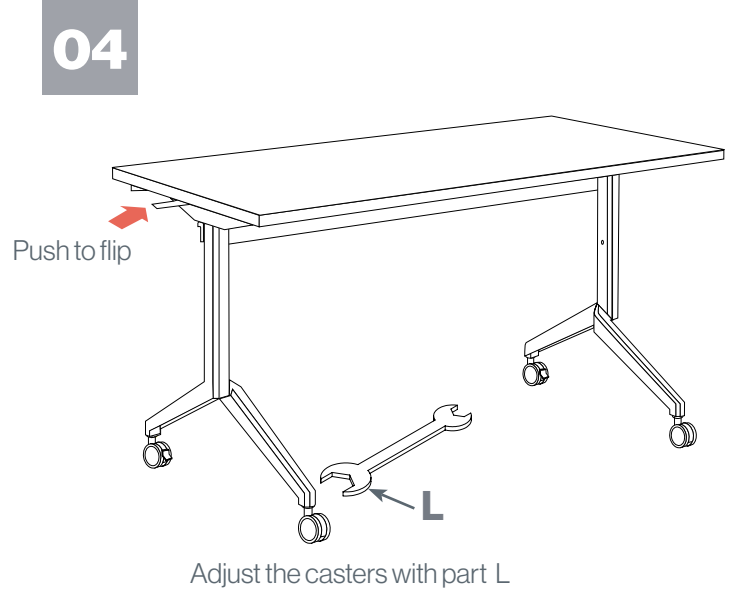
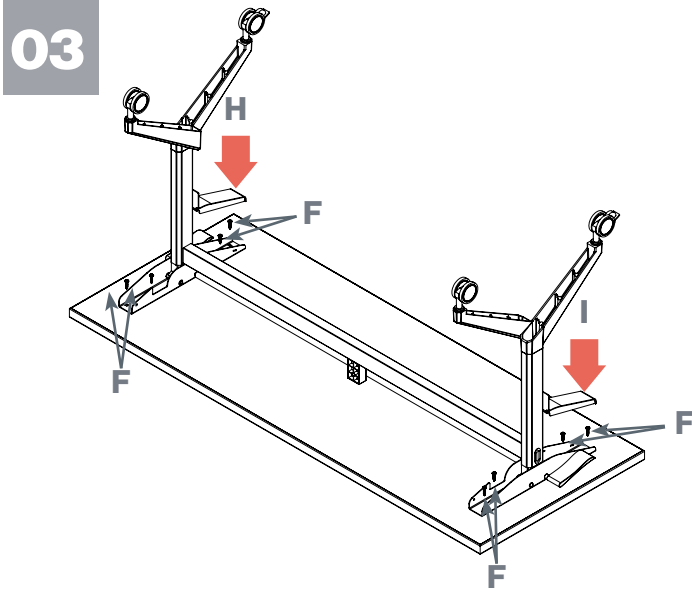
01



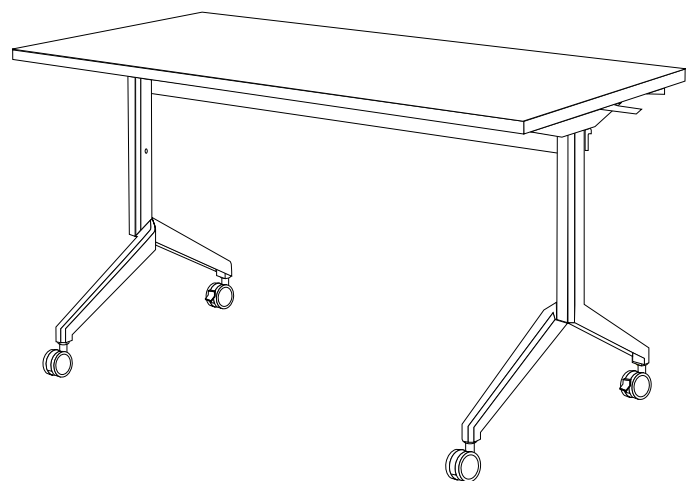
02



FOR MISSING PARTS OR QUESTIONS, PLEASE CALL CUSTOMER SERVICE AT 888-705-0777.



NESTED CALIBER TABLES



ASSEMBLED CALIBER TABLE