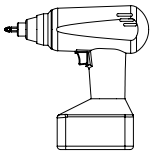


TOOLS

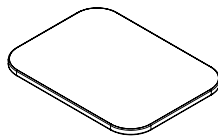


Impact Drill

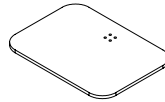


#3 Phillips Bit

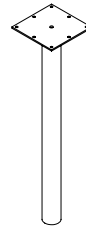
PARTS & HARDWARE LIST



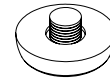
**A**  
Tabletop  
(1)



**B**  
Sienna Base Plate  
(1)



**C**  
Column  
(1)



**D**  
Adjustable  
Leveling Glide  
(4)



**E**  
M6  
Machine Screw  
(4)



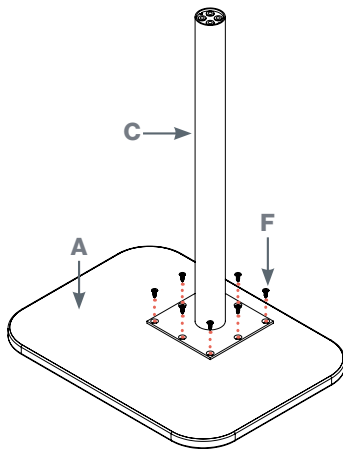
**F**  
#12  
Wood Screw  
(8)

ASSEMBLY STEPS

**1**

Align the column with the pre-drilled holes on the underside of the tabletop.

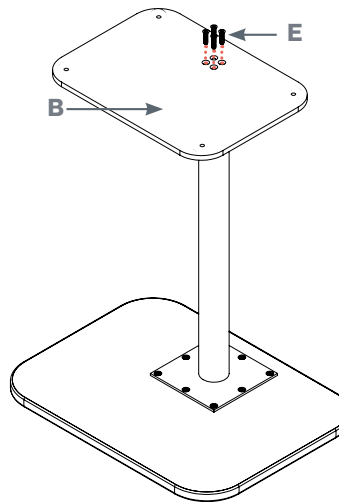
Fasten the column to the tabletop using (8) #12 flathead wood screws.



**2**

Carefully position the Sienna base plate to align with the holes on the bottom of the column.

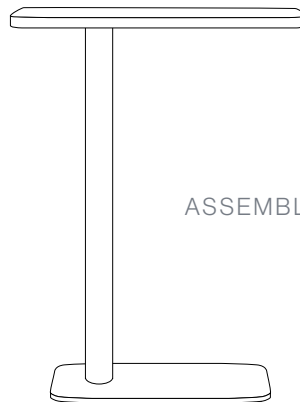
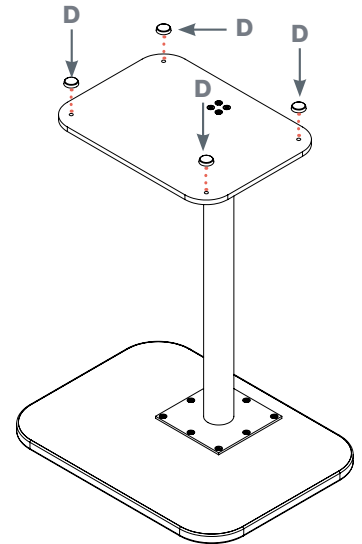
Fasten the Sienna base plate to the column using (4) M6 flathead machine screws.



**3**

Attach (4) adjustable leveling glides to the underside of the Sienna base plate.

Holding onto the edges of the table, carefully flip the table over.



ASSEMBLED FIXED SIENNA LAPTOP TABLE

FOR MISSING PARTS OR QUESTIONS,  
PLEASE CALL CUSTOMER SERVICE AT 888-705-0777.