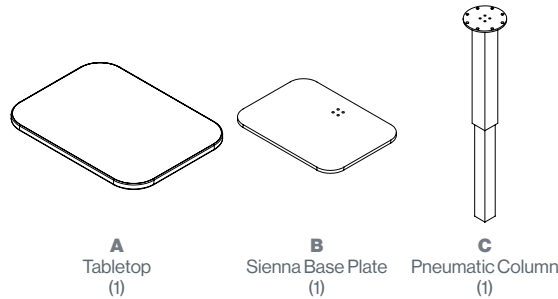
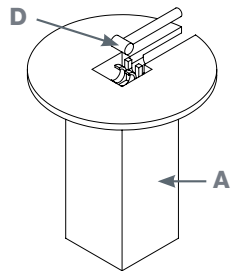


PARTS & HARDWARE LIST



ASSEMBLY STEPS

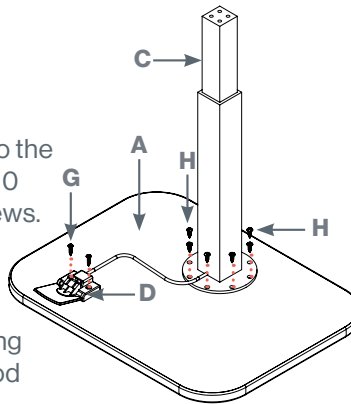
1 Insert the end of the paddle release handle into the top of the pneumatic column and place it inside the grooved collar.



2 Carefully flip the column over and align it with pre-drilled holes on the underside of the tabletop.

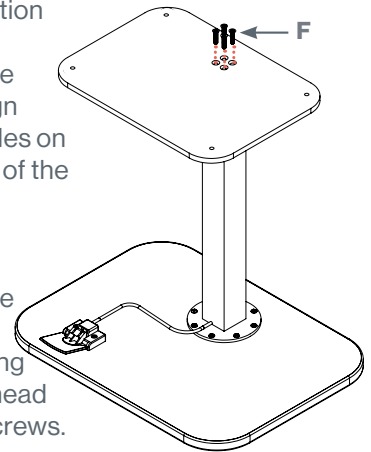
Fasten the column to the tabletop using (8) #10 pan head wood screws.

Attach the paddle release handle in desired position using (2) #8 pan head wood screws.



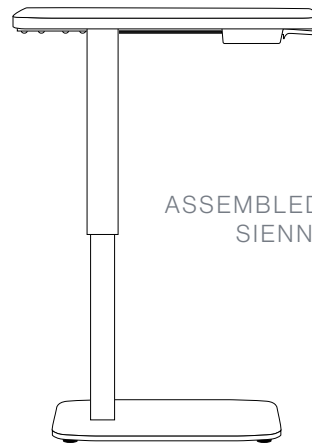
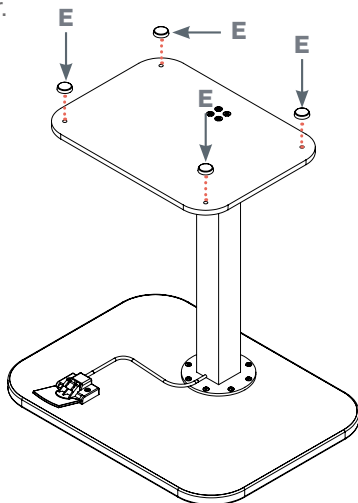
3 Carefully position the Sienna base plate to align with the holes on the bottom of the column.

Fasten the Sienna base plate to the column using (4) M6 flathead machine screws.



4 Attach (4) adjustable leveling glides to the underside of the Sienna base plate.

Holding onto the edges of the table, carefully flip the table over.



ASSEMBLED HEIGHT ADJUSTABLE SIENNA LAPTOP TABLE

FOR MISSING PARTS OR QUESTIONS, PLEASE CALL CUSTOMER SERVICE AT 888-705-0777.